



REACH-IN FREEZER

HF-128MC-S
HF-128MC-S-X
HF-128MC-SLG
HF-128MC-SLG-E

PARTS LIST

[HS] [HVN] [HHK] [HID] [HTH] [HMY]

S179-V000,S179-W101,S179-C100,S179-V030
S179-V130,S179-V230,S179-V330,S179-V430

Q-1 JAN. 2025

Product Code Spec

HF-128MC-S

S179-V000	For HS;
S179-C100	For HHK;

HF-128MC-SLG-E

S179-V030	For HS;
------------------	---------

HF-128MC-SLG

S179-V130	For HVN;
S179-V230	For HID;
S179-V330	For HTH;
S179-V430	For HMY;

HF-128MC-S-X

S179-W101	For HVN;
------------------	----------

AUXILIARY CODE

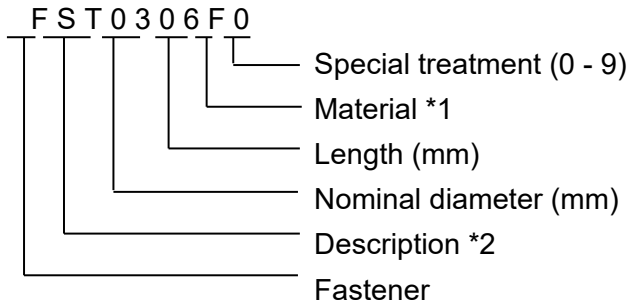
U - 1

The auxiliary code is the first two characters in the serial number. The first character indicates the production year. Years progress or regress in alphabetical order. The series of letters and skipped letters depend on UL listing, production, and model. See the auxiliary code(s) and corresponding year(s) on the front cover.

The second character indicates significant part changes within the same year. Base is "1" and this number advances for each change. If there is no significant part change at the turn of the year, this number starts from "0."

FASTENER PART NUMBER

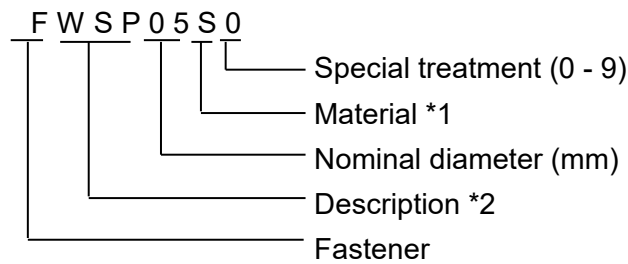
SCREWS



*1

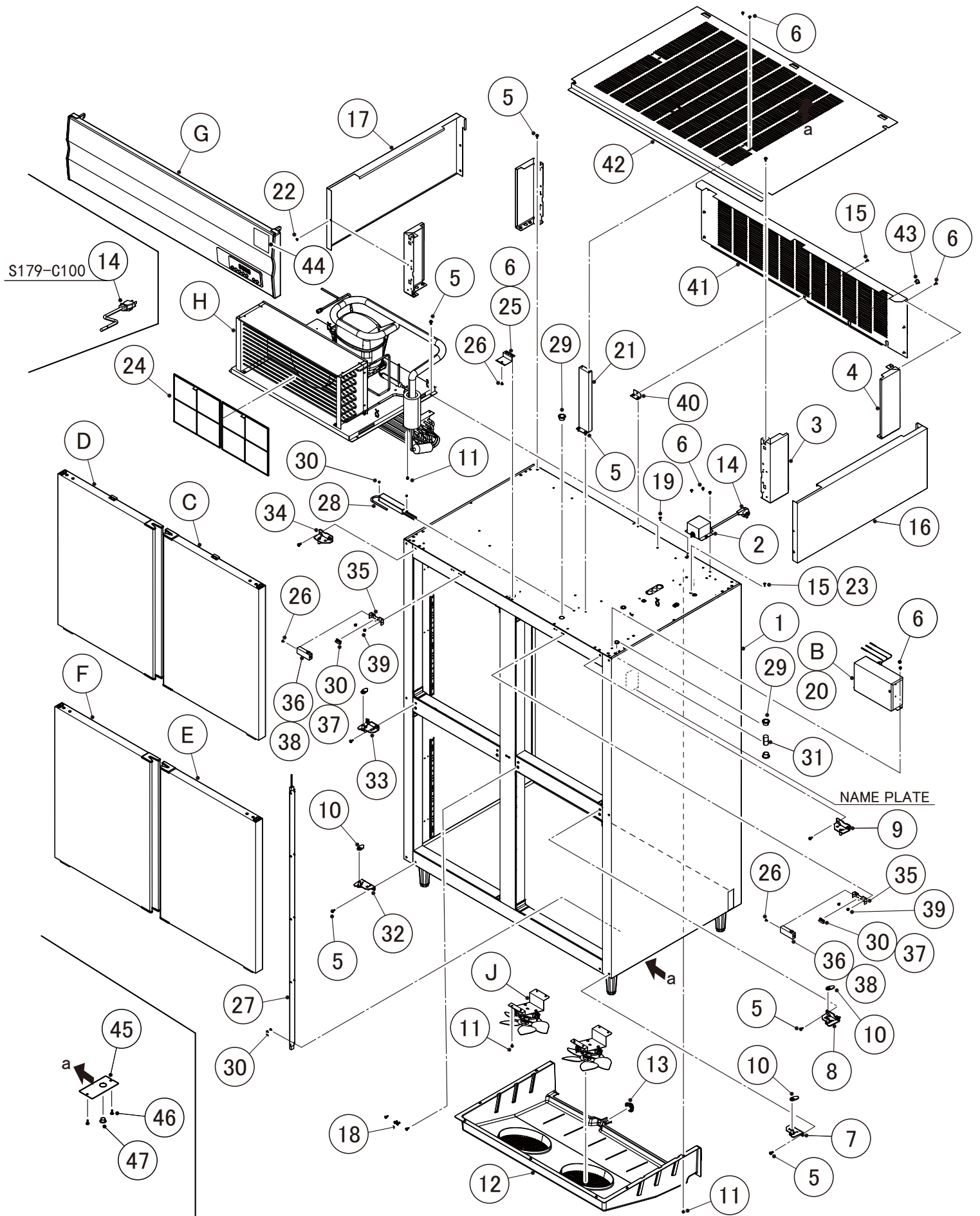
- F: Steel
- S: Austenitic stainless steel
- M: Martensitic stainless steel
- B: Copper alloy
- P: Polycarbonate
- N: Polyamide
- V: PVC
- A: ABS
- X: Polyacetal
- L: Aluminum

NUTS & WASHERS



*2

- First letter
- S: Machine screw
- T: Tapping screw
- M: Wood screw
- B: Bolt
- W: Washer
- N: Nut



MODEL: **HF-128MC-S**
HF-128MC-SLG-E

TITLE: **A. REFRIGERATOR ASSY**

INDEX NO.	DESCRIPTION	MATERIAL OR MODEL NUMBER	PART NUMBER	REQ'D NUMBER			
				Q-1 and later			
B	CONTROL BOX ASSY	(S-35525)	3C1023A02	1			
C	DOOR R,AY	(S-35837) S179-V000 S179-C100	2C1768A02	1			
D	DOOR L,AY	(S-35836) S179-V000 S179-C100	2C1767A02	1			
E	DOOR R,AY	(S-30225) S179-V000 S179-C100	274435A02	1			
F	DOOR L,AY	(S-30224) S179-V000 S179-C100	274434A02	1			
G	FRONT PANEL ASSY	(S-35527) S179-V000 S179-C100	2C1198A06	1			
		S179-V030	2C1198004	1			
H	REFRIGERATION ASSY	S179-V000 S179-C100	1C1074A01	1			
		S179-V030	1C1074001	1			
J	FAN MOTOR AY		3C1181A01	2			
L	LABEL LOCATION		-	1			
M	ACCESSORIES		-	1			
1	BODY	S179-V000	1C1019G02	1			
		S179-C100	1C0808009	1			
		S179-V030	1C1019009	1			
2	CONNECTOR BOX G	S179-V000 S179-V030	3C0471G01	1			
3	GRIP(A)		260268M01	2			
4	GRIP(B)		260269M01	2			
5	FLANGE BOLT (S-TITE)		P02005-01	30			
6	FLANGE BOLT (S-TITE)	S179-V000 S179-V030	445994-05	16			
		S179-C100		14			
7	DOOR HINGE (R) , LO	S179-V000 S179-C100	375316G01	1			
		S179-V030	3C2112M01	1			

MODEL: **HF-128MC-S**
HF-128MC-SLG-E

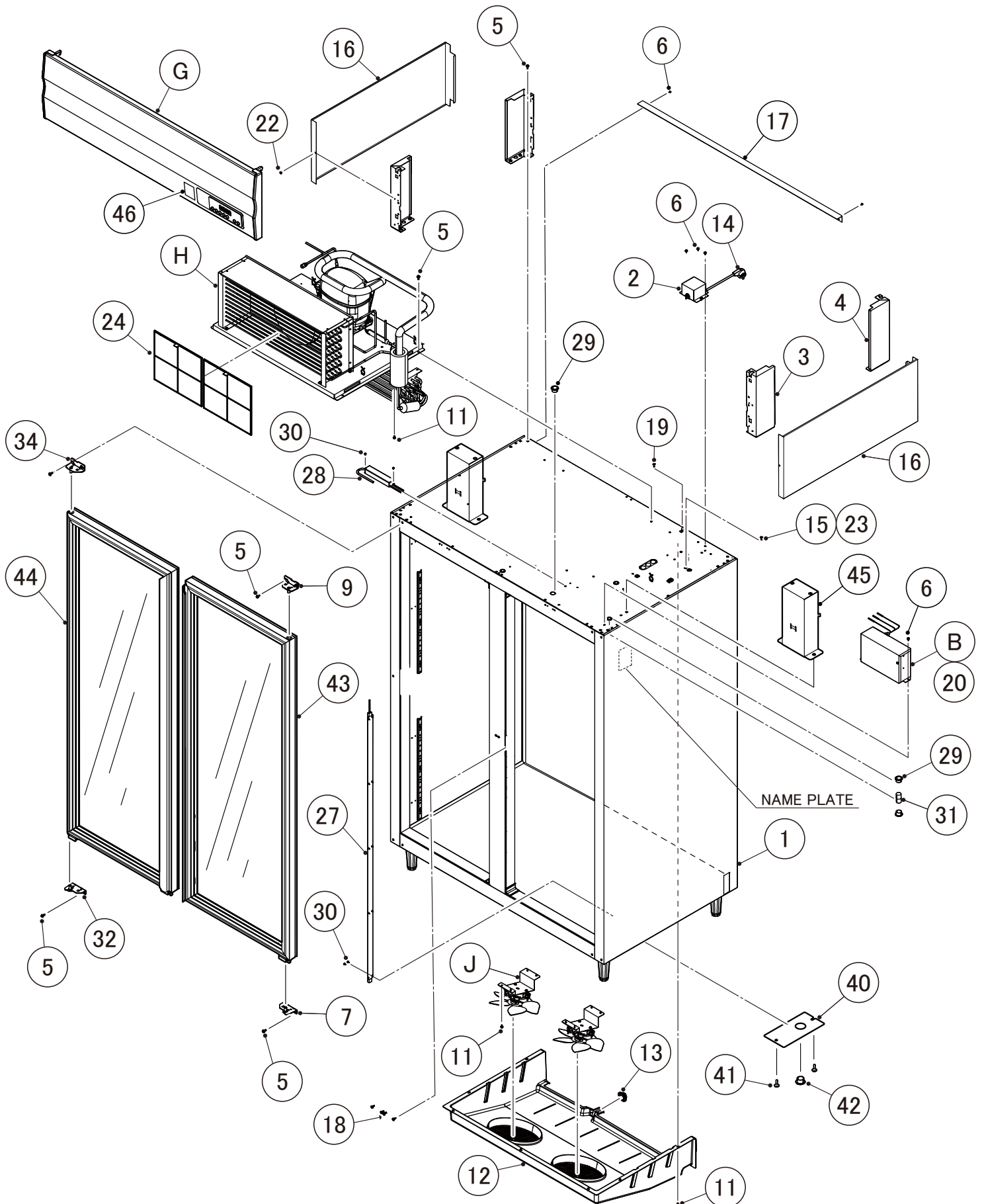
TITLE: **A. REFRIGERATOR ASSY**

INDEX NO.	DESCRIPTION	MATERIAL OR MODEL NUMBER	PART NUMBER	REQ'D NUMBER			
				Q-1 and later			
8	DOOR HINGE (R) , CT	S179-V000 S179-C100	375317G01	1			
9	DOOR HINGE (R) , UP	S179-V000 S179-C100	375315G01	1			
		S179-V030	3C2117G01	1			
10	HINGE COLLAR - HINGE	S179-V000 S179-C100	339948-01	4			
11	HEX HEAD BOLT SW		FBK0410S0	19			
12	AIR DUCT(G) - F2		2C2495G01	1			
13	GASKET - DORAIN ELBOW		475688R01	1			
14	POWER CORD	S179-V000 S179-V030	P02795-01	1			
	POWER SUPPLY CORD -HS	S179-C100	474677G01	1			
15	TRUSS HEAD SCREW		FST0412S0	2			
16	SIDE PANEL (R)		382770M02	1			
17	SIDE PANEL (L)		382771M02	1			
18	HOLE PLUG	S179-V000 S179-C100	463980-01	4			
		S179-V030		2			
19	TRUSS HEAD SCREW	S179-V000 S179-V030	FST0408F0	1			
20	WIRING LABEL		2C1773L01	1			
21	BRACKET - SHROUD		481806M01	1			
22	S-TITE TRUSS HEAD SCREW		FTS0406M0	2			
23	SPRING WASHER		FWSP04S0	1			
24	AIR FILTER		390729G01	2			
25	BRACKET - FRONT		4C0627M01	1			
26	TRUSS HEAD SCREW	S179-V000 S179-C100	FST0408S0	4			
27	LED LAMP	S179-V000	P05001-01	1			
		S179-V030		2			
28	SWITCHING REGULATOR	S179-V000 S179-V030	P05002-01	1			
29	BUSHING	S179-V000	428394-01	4			
		S179-V030		6			

MODEL: **HF-128MC-S**
HF-128MC-SLG-E

TITLE: **A. REFRIGERATOR ASSY**

INDEX NO.	DESCRIPTION	MATERIAL OR MODEL NUMBER	PART NUMBER	REQ'D NUMBER			
				Q-1 and later			
30	PAN HEAD SCREW SW	S179-V000	FSK0308S0	18			
		S179-V030		24			
31	INSULATION	S179-V000 S179-V030	4R5835Z01	2			
32	DOOR HINGE (L) , LO	S179-V000 S179-C100	375319G01	1			
		S179-V030	3C2114M01	1			
33	DOOR HINGE (L) , CT	S179-V000 S179-C100	375320G01	1			
34	DOOR HINGE (L) , UP	S179-V000 S179-C100	375318G01	1			
		S179-V030	3C2118G01	1			
35	BRACKET - LEAD SWITCH	S179-V000 S179-C100	3C1273M01	2			
36	COVER - LEAD SWITCH	S179-V000 S179-C100	4C0667M01	2			
37	REED SWITCH	S179-V000 S179-C100	P02940-01	2			
38	BUSHING	S179-V000 S179-C100	428394-07	2			
39	HEX HEAD BOLT SW	S179-V000 S179-C100	FBK0408S0	4			
40	BRACKET		484645M01	1			
41	REAR COVER		269162M01	1			
42	TOP COVER		279141M01	1			
43	BUSHING		428394-03	1			
44	LABEL - ENERGY	S179-V000	292088L22	1			
45	COVER	S179-C100 S179-V030	386702M01	1			
46	T2 TRUSS HEAD SCREW	S179-C100 S179-V030	FT20408M0	2			
47	GROMMET	S179-C100 S179-V030	410666-05	1			
48	GLASS DOOR(R),ASSY-127	S179-V030	C07927-02	1			
49	GLASS DOOR(L),ASSY-127	S179-V030	C07928-02	1			
50	CAPACITOR BOX	S179-V030	2C2408G02	2			



MODEL: **HF-128MC-S-X**
HF-128MC-SLG

TITLE: **A. REFRIGERATOR ASSY**

INDEX NO.	DESCRIPTION	MATERIAL OR MODEL NUMBER	PART NUMBER	REQ'D NUMBER			
				Q-1 and later			
B	CONTROL BOX ASSY	(S-35525)	3C1023A02	1			
C	DOOR R,AY	(S-35837) S179-W101	2C1768A02	1			
D	DOOR L,AY	(S-35836) S179-W101	2C1767A02	1			
E	DOOR R,AY	(S-30225) S179-W101	274435A02	1			
F	DOOR L,AY	(S-30224) S179-W101	274434A02	1			
G	FRONT PANEL ASSY	(S-35527) S179-W101	2C1198A06	1			
		S179-V130 S179-V230 S179-V330 S179-V430	2C1198004	1			
H	REFRIGERATION ASSY		1C1074001	1			
J	FAN MOTOR AY		3C1181A01	2			
L	LABEL LOCATION		2C1780003	1			
M	ACCESSORIES		A03605111	1			
1	BODY	S179-W101	1C1019002	1			
		S179-V130 S179-V230 S179-V330 S179-V430	1C1019009	1			
2	CONNECTOR BOX G		3C0471G01	1			
3	GRIP(A)		260268M01	2			
4	GRIP(B)		260269M01	2			
5	FLANGE BOLT (S-TITE)		P02005-01	28			
6	FLANGE BOLT (S-TITE)	S179-W101	445994-05	8			
		S179-V130 S179-V230 S179-V330 S179-V430		12			
7	DOOR HINGE (R) , LO	S179-W101	375316G01	1			
		S179-V130 S179-V230 S179-V330 S179-V430	3C2112M01	1			

MODEL: **HF-128MC-S-X**
HF-128MC-SLG

TITLE: **A. REFRIGERATOR ASSY**

INDEX NO.	DESCRIPTION	MATERIAL OR MODEL NUMBER	PART NUMBER	REQ'D NUMBER			
				Q-1 and later			
8	DOOR HINGE (R) , CT	S179-W101	375317G01	1			
9	DOOR HINGE (R) , UP	S179-W101	375315G01	1			
		S179-V130 S179-V230 S179-V330 S179-V430	3C2117G01	1			
10	HINGE COLLAR - HINGE	S179-W101	339948-01	4			
11	HEX HEAD BOLT SW		FBK0410S0	19			
12	AIR DUCT(G) - F2		2C2495G01	1			
13	GASKET - DORAIN ELBOW		475688R01	1			
14	POWER SUPPLY CORD	S179-W101 S179-V130	C06074-01	1			
	POWER CORD	S179-V230	P02794-01	1			
		S179-V330	P03994-01	1			
		S179-V430	P02795-01	1			
15	TRUSS HEAD SCREW		FST0412S0	2			
16	SIDE PANEL		375190M02	2			
17	CHANNEL - 120		375098M02	1			
18	HOLE PLUG	S179-W101	463980-01	4			
		S179-V130 S179-V230 S179-V330 S179-V430		2			
19	TRUSS HEAD SCREW		FST0408F0	1			
20	WIRING LABEL	S179-W101	2C1932L01	1			
		S179-V130 S179-V230 S179-V330 S179-V430	2C2413L01	1			
22	S-TITE TRUSS HEAD SCREW		FTS0406M0	2			
23	SPRING WASHER		FWSP04S0	1			
24	AIR FILTER		390729G01	2			
25	BRACKET - FRONT		4C0627M01	-			
26	TRUSS HEAD SCREW	S179-W101	FST0408S0	4			

MODEL: **HF-128MC-S-X**
HF-128MC-SLG

TITLE: **A. REFRIGERATOR ASSY**

INDEX NO.	DESCRIPTION	MATERIAL OR MODEL NUMBER	PART NUMBER	REQ'D NUMBER			
				Q-1 and later			
27	LED LAMP	S179-W101	P05001-01	1			
		S179-V130 S179-V230 S179-V330 S179-V430		2			
28	SWITCHING REGULATOR		P05002-01	1			
29	BUSHING	S179-W101	428394-01	4			
		S179-V130 S179-V230 S179-V330 S179-V430		6			
30	PAN HEAD SCREW SW	S179-W101	FSK0308S0	18			
		S179-V130 S179-V230 S179-V330 S179-V430		24			
31	INSULATION	S179-W101	4R5835Z01	2			
		S179-V130 S179-V230 S179-V330 S179-V430		4			
32	DOOR HINGE (L) , LO	S179-W101	375319G01	1			
		S179-V130 S179-V230 S179-V330 S179-V430	3C2114M01	1			
33	DOOR HINGE (L) , CT	S179-W101	375320G01	1			
34	DOOR HINGE (L) , UP	S179-W101	375318G01	1			
		S179-V130 S179-V230 S179-V330 S179-V430	3C2118G01	1			
35	BRACKET - LEAD SWITCH	S179-W101	3C1273M01	2			
36	COVER - LEAD SWITCH	S179-W101	4C0667M01	2			
37	REED SWITCH	S179-W101	P02940-01	2			
38	BUSHING	S179-W101	428394-07	2			
39	HEX HEAD BOLT SW	S179-W101	FBK0408S0	4			
40	COVER		386702M01	1			
41	T2 TRUSS HEAD SCREW		FT20408M0	2			

MODEL: **HF-128MC-S-X**
HF-128MC-SLG

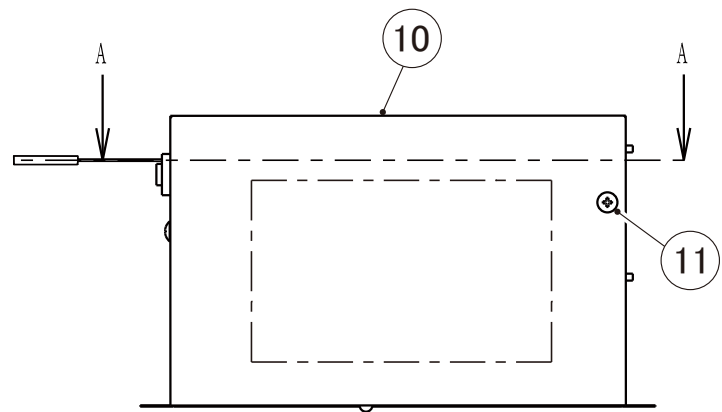
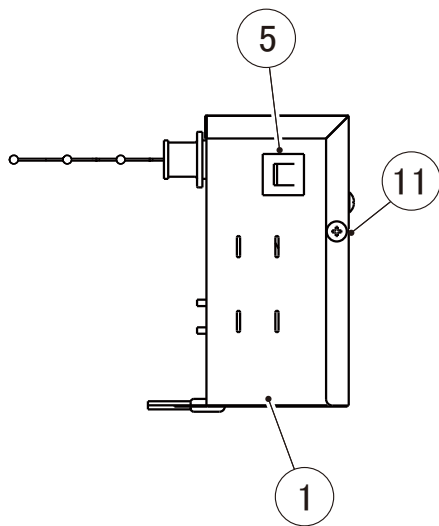
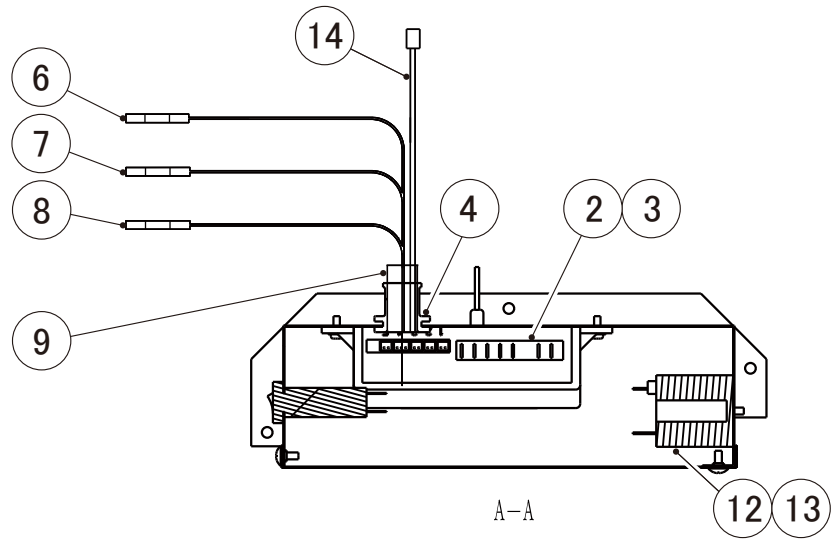
TITLE: **A. REFRIGERATOR ASSY**

INDEX NO.	DESCRIPTION	MATERIAL OR MODEL NUMBER	PART NUMBER	REQ'D NUMBER			
				Q-1 and later			
42	GROMMET		410666-05	1			
43	GLASS DOOR(R),ASSY-127	S179-V130 S179-V230 S179-V330 S179-V430	C07927-02	1			
44	GLASS DOOR(L),ASSY-127	S179-V130 S179-V230 S179-V330 S179-V430	C07928-02	1			
45	CAPACITOR BOX	S179-V130 S179-V230 S179-V330 S179-V430	2C2408G02	2			
46	ラベル/CFC AND HCFC FREE	S179-V230	482091L01	1			

HF-128MC-S(LG, LG-E)
HF-128MC-S-X

B. CONTROL BOX ASSY

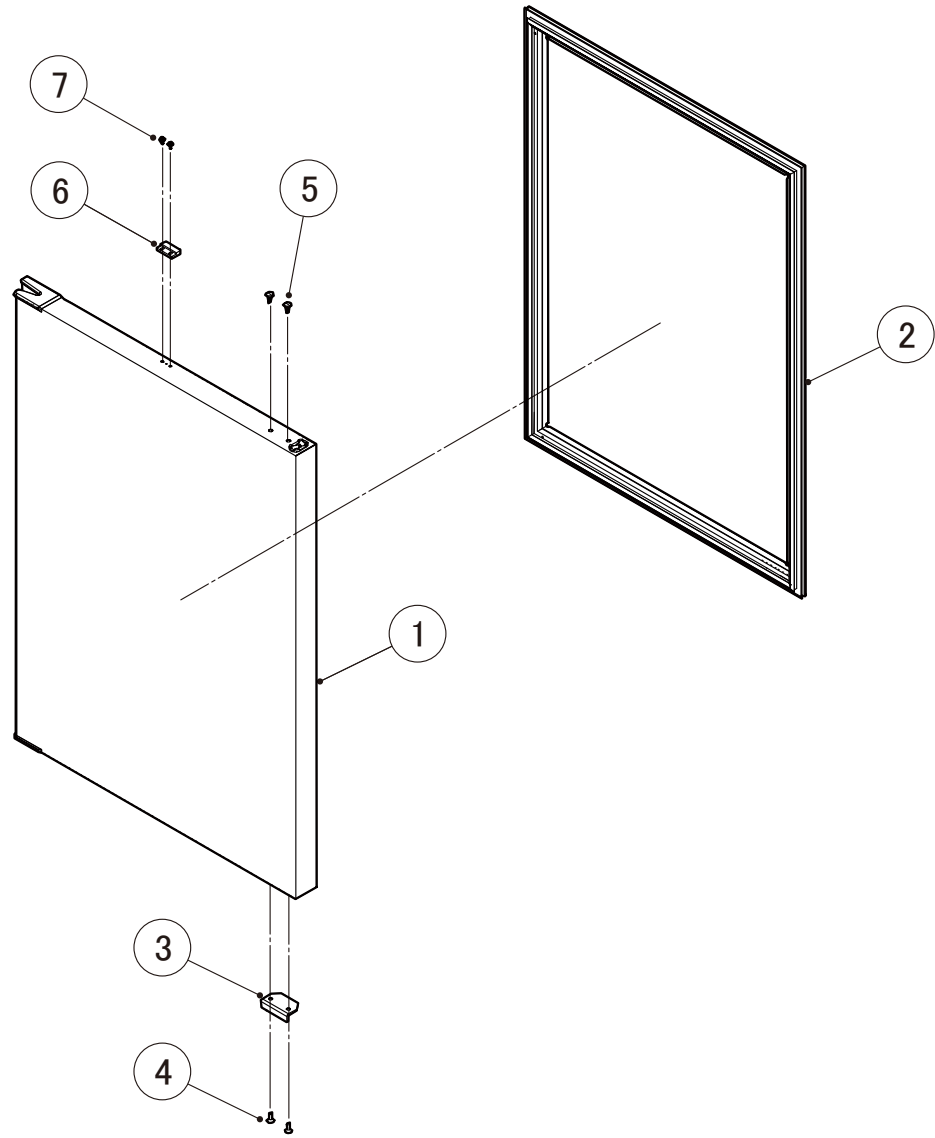
(Q-1) and later



MODEL: **HF-128MC-S(LG,LG-E)**
HF-128MC-S-X

TITLE: **B. CONTROL BOX ASSY(S-35525)**

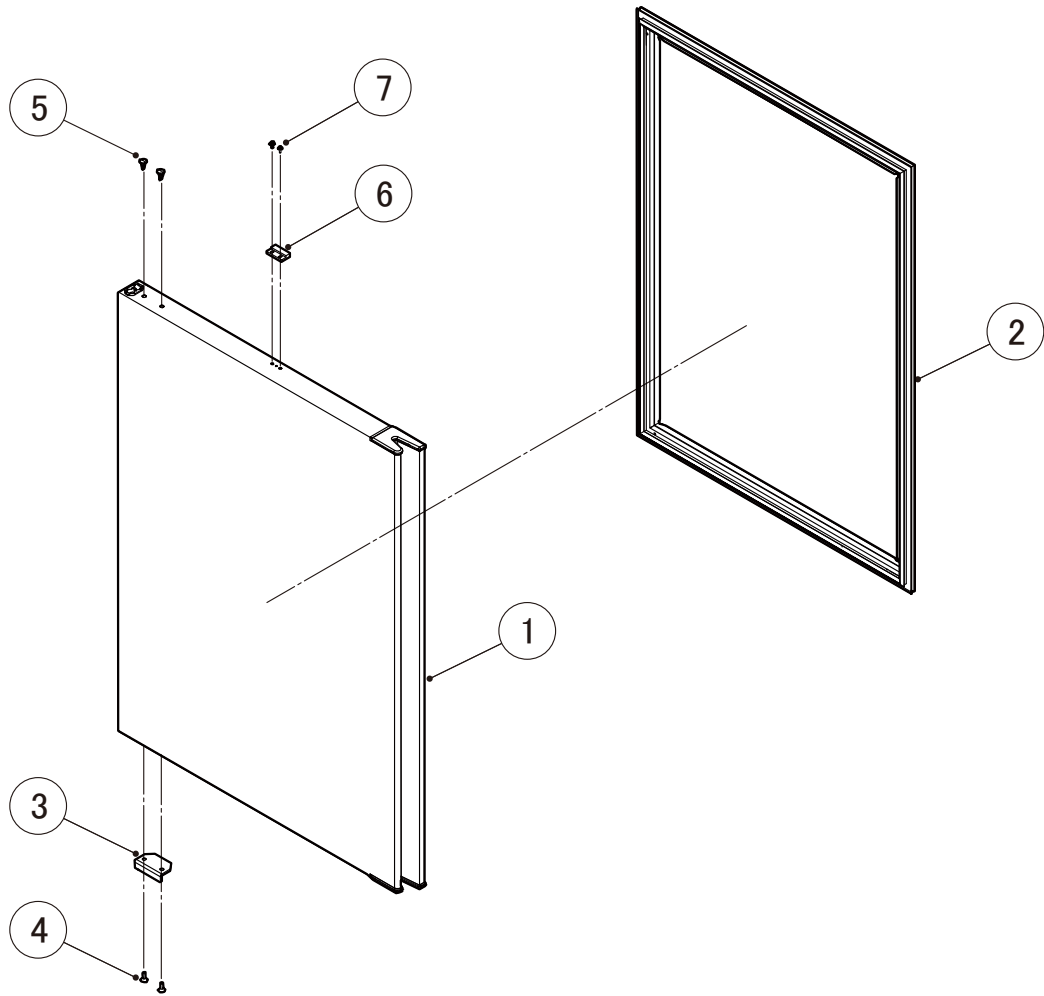
INDEX NO.	DESCRIPTION	MATERIAL OR MODEL NUMBER	PART NUMBER	REQ'D NUMBER			
				Q-1 and later			
1	CONTROL BOX		3C1021M01	1			
2	CONTROLLER		C06540-01	1			
3	T2(S) FLANGED PAN HEAD SCREW		431415-01	2			
4	GROMMET		4H2568-02	1			
5	PROTECTOR		440972-07	1			
6	TERMISTOR	線色; 白	C06414-01	1			
7	TERMISTOR	線色; 黒	C06414-02	1			
8	TERMISTOR	線色; 灰	C06414-03	1			
9	VINYL TUBE - UL		4C0050Z01	1			
10	COVER - CONTROL BOX		3C1022M01	1			
11	TRUSS HEAD SCREW		FST0408S0	2			
12	POWER RELAY		C06306-01	1			
13	T2 TRUSS HEAD SCREW		FT20408F0	2			
14	HARNESS - CONTROLLER		C06580-01	1			



MODEL: **HF-128MC-S**
HF-128MC-S-X

TITLE: **C. DOOR R,AY(S-35837)**

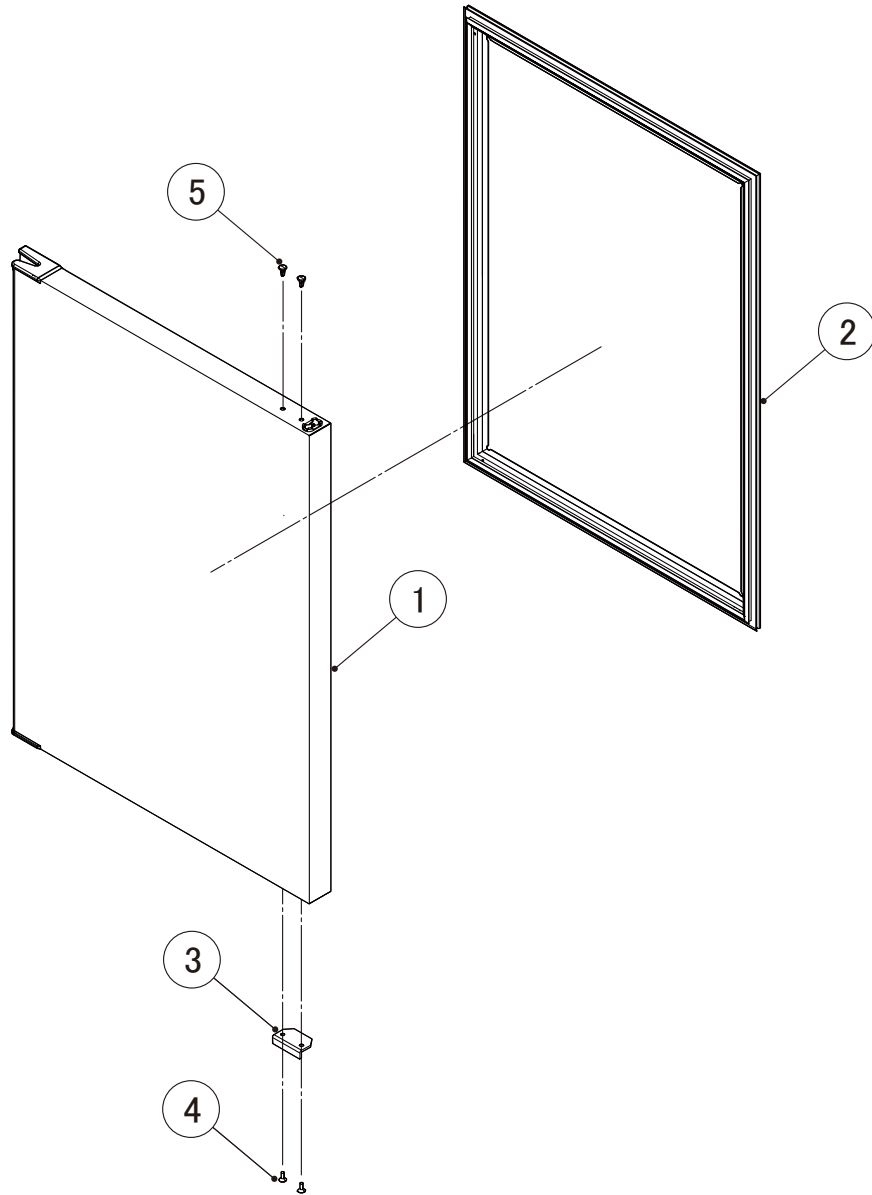
INDEX NO.	DESCRIPTION	MATERIAL OR MODEL NUMBER	PART NUMBER	REQ'D NUMBER			
				Q-1 and later			
1	DOOR - INSULATION		274178G05	1			
2	DOOR GASKET - HD		258160G01	1			
3	DOOR STOPPER		454210-01	1			
4	FLAT HEAD TAPPING SCREW (S-TITE)		FTF0512M0	2			
5	HOLE PLUG		463980-01	2			
6	MAGNET		436974-01	1			
7	PAN HEAD SCREW SW		FSK0308S0	2			



MODEL: **HF-128MC-S**
HF-128MC-S-X

TITLE: **D. DOOR L,AY(S-35836)**

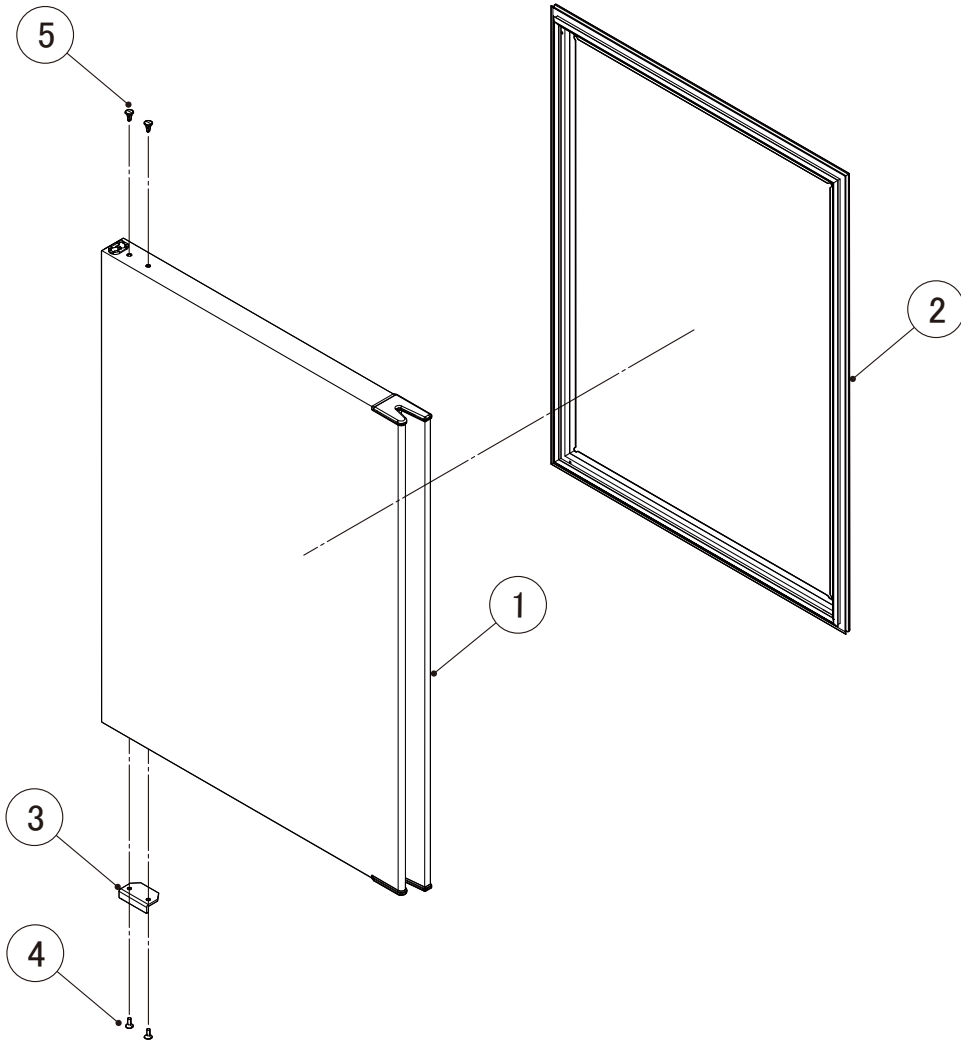
INDEX NO.	DESCRIPTION	MATERIAL OR MODEL NUMBER	PART NUMBER	REQ'D NUMBER			
				Q-1 and later			
1	DOOR - INSULATION		274178G07	1			
2	DOOR GASKET - HD		258160G01	1			
3	DOOR STOPPER		454210-01	1			
4	FLAT HEAD TAPPING SCREW (S-TITE)		FTF0512M0	2			
5	HOLE PLUG		463980-01	2			
6	MAGNET		436974-01	1			
7	PAN HEAD SCREW SW		FSK0308S0	2			



MODEL: **HF-128MC-S**
HF-128MC-S-X

TITLE: **E. DOOR R,AY(S-30225)**

INDEX NO.	DESCRIPTION	MATERIAL OR MODEL NUMBER	PART NUMBER	REQ'D NUMBER			
				Q-1 and later			
1	DOOR - INSULATION		274178G02	1			
2	DOOR GASKET - HD		258160G01	1			
3	DOOR STOPPER		454210-01	1			
4	FLAT HEAD TAPPING SCREW (S-TITE)		FTF0512M0	2			
5	HOLE PLUG		463980-01	2			



MODEL: **HF-128MC-S**
HF-128MC-S-X

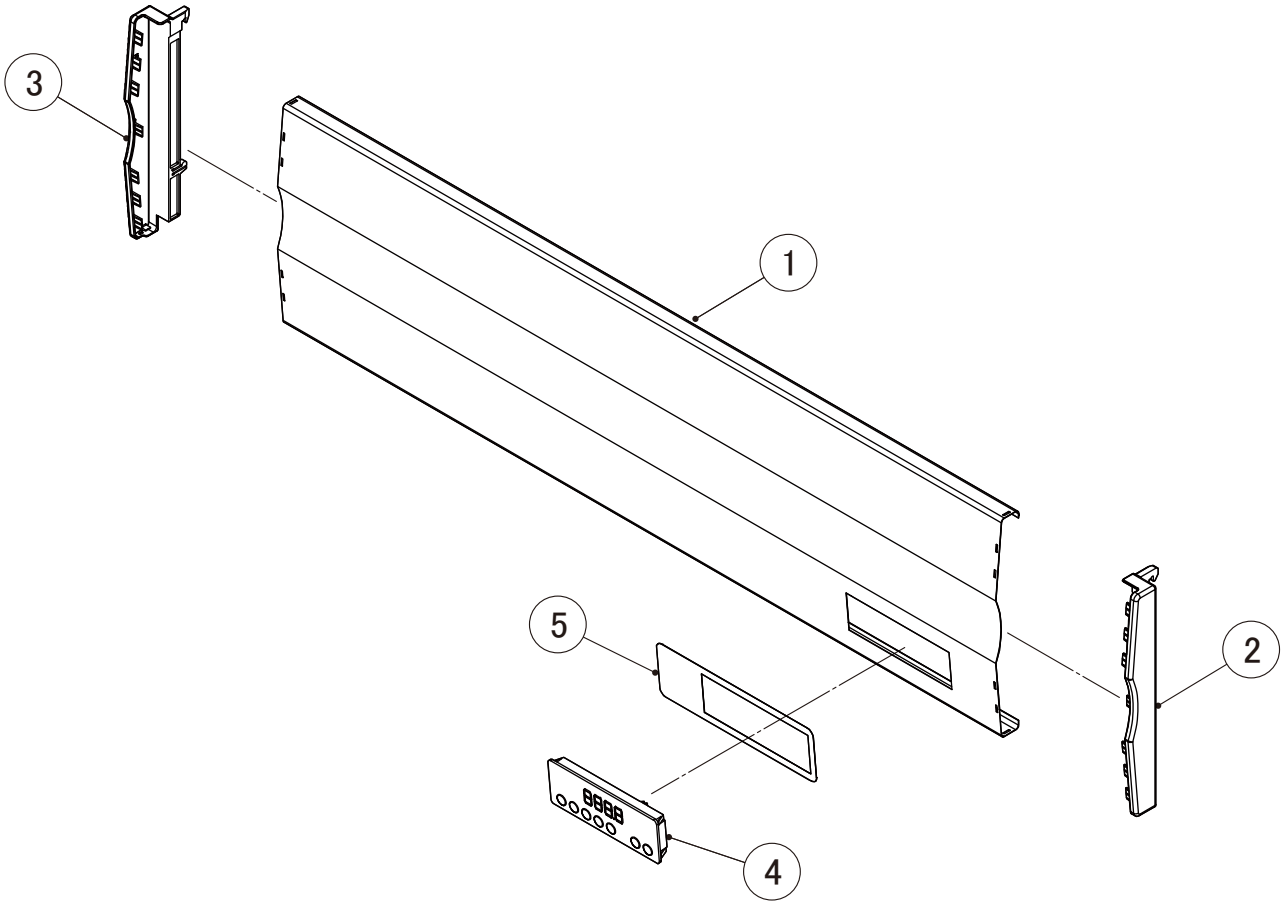
TITLE: **F. DOOR L,AY(S-30224)**

INDEX NO.	DESCRIPTION	MATERIAL OR MODEL NUMBER	PART NUMBER	REQ'D NUMBER			
				Q-1 and later			
1	DOOR - INSULATION		274178G02	1			
2	DOOR GASKET - HD		258160G01	1			
3	DOOR STOPPER		454210-01	1			
4	FLAT HEAD TAPPING SCREW (S-TITE)		FTF0512M0	2			
5	HOLE PLUG		463980-01	2			

HF-128MC-S(LG, LG-E)
HF-128MC-S-X

G. FRONT PANEL ASSY

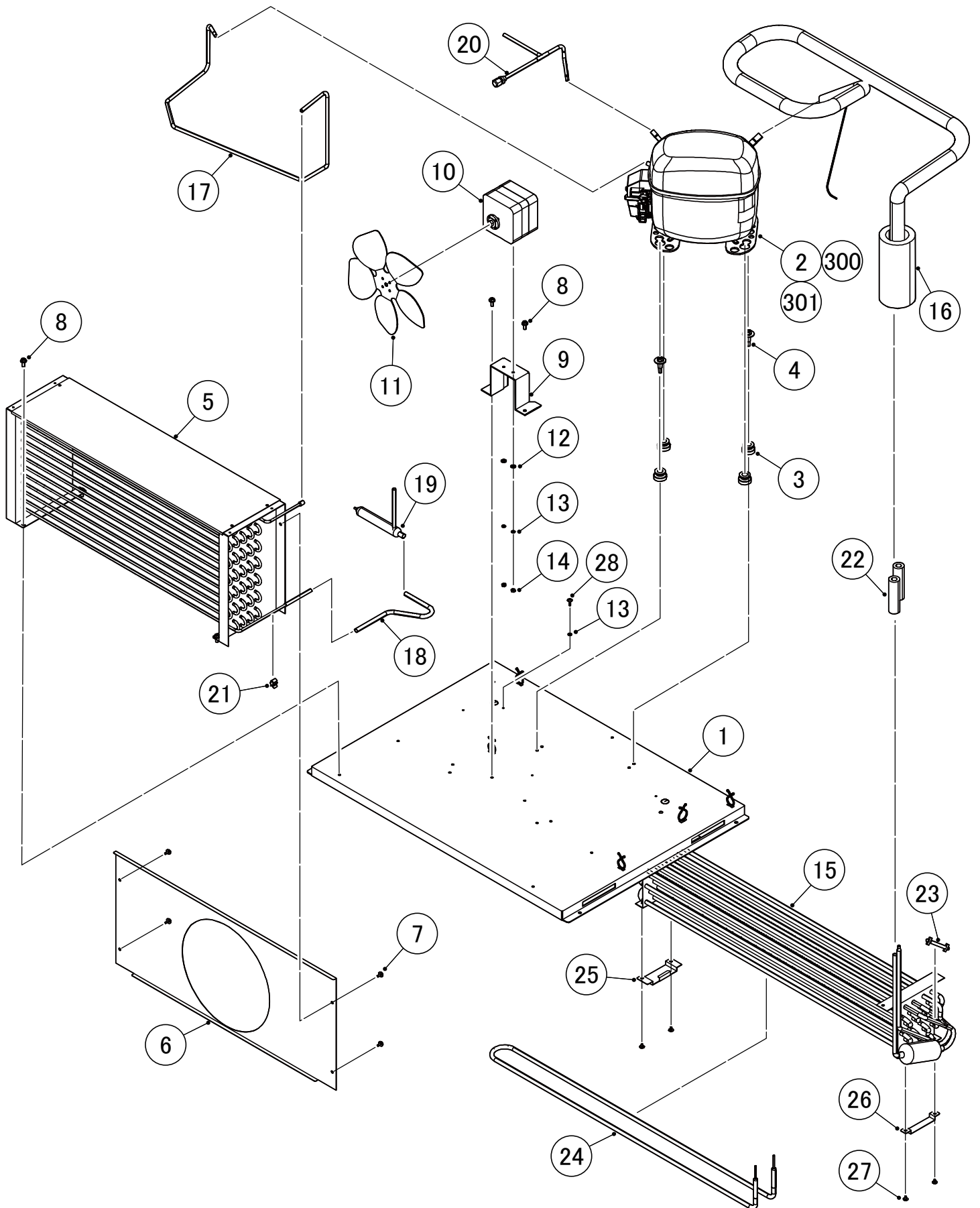
(Q-1) and later



MODEL: **HF-128MC-S(LG,LG-E)**
HF-128MC-S-X

TITLE: **G. FRONT PANEL ASSY(S-35527)**

INDEX NO.	DESCRIPTION	MATERIAL OR MODEL NUMBER	PART NUMBER	REQ'D NUMBER			
				Q-1 and later			
1	FRONT PANEL - 120		2C1197M02	1			
	FRONT PANEL	S179-V030 S179-V130 S179-V230 S179-V330 S179-V430	2C2155M01	1			
2	CORNER - FRONT PANEL(R)		260090P01	1			
3	CORNER - FRONT PANEL(L)		260091P01	1			
4	CONTROLLER DISPLAY		C06539-01	1			
5	CHARACTER LABEL		3C1463L01	1			



MODEL: **HF-128MC-S**TITLE: **H. REFRIGERATION ASSY**

INDEX NO.	DESCRIPTION	MATERIAL OR MODEL NUMBER	PART NUMBER	REQ'D NUMBER			
				Q-1 and later			
1	BASE		277898M03	1			
2	COMPRESSOR		P07231-01	1			
3	GROMMET		450897-01	4			
4	BOLT		C05825-01	2			
5	WIRE CONDENSER		P05099-01	1			
6	COVER - CONDENSER		3C0450M01	1			
7	TAPPING SCREW - HEX		456789-01	4			
8	FLANGE BOLT (S-TITE)		P02005-01	6			
9	BRACKET - FAN MOTOR		471206M01	1			
10	FAN MOTOR		P00156-01	1			
11	FAN BLADE		P00185-01	1			
12	FLAT WASHER		FWPL04S0	2			
13	SPRING WASHER		FWSP04S0	3			
14	NUT		FNH104S0	2			
15	EVAPORATOR		C06293-01	1			
16	HEAT EXCHANGER		2C1203G01	1			
17	COPPER TUBE A - H		3C1025M01	1			
18	COPPER TUBE(B) - (H)		4C0401M02	1			
19	DRIER		C06620-02	1			
20	COPPER TUBE B - L		3C0504G01	1			
21	CLIP-THERMISTOR		4R2938-01	1			
22	INSULATION TUBE(ARMA FLEX)		H91022070	2			
23	FUSE		P01103-01	1			
24	DEFROST HEATER		C06091-02	1			
25	SUPPORT - HEATER		390307M01	1			
26	SUPPORT - HEATER		390326M01	1			
27	TRUSS HEAD TAPPING SCREW T2		FT20406M0	4			
28	TRUSS HEAD SCREW		FST0412S0	1			
300	START CAPACITOR		456350-01	1			

MODEL: **HF-128MC-S**

TITLE: **H. REFRIGERATION ASSY**

INDEX NO.	DESCRIPTION	MATERIAL OR MODEL NUMBER	PART NUMBER	REQ'D NUMBER			
				Q-1 and later			
301	CORD RELIEF		452239-01	1			

MODEL: **HF-128MC-S-X**
HF-128MC-SLG(-E)

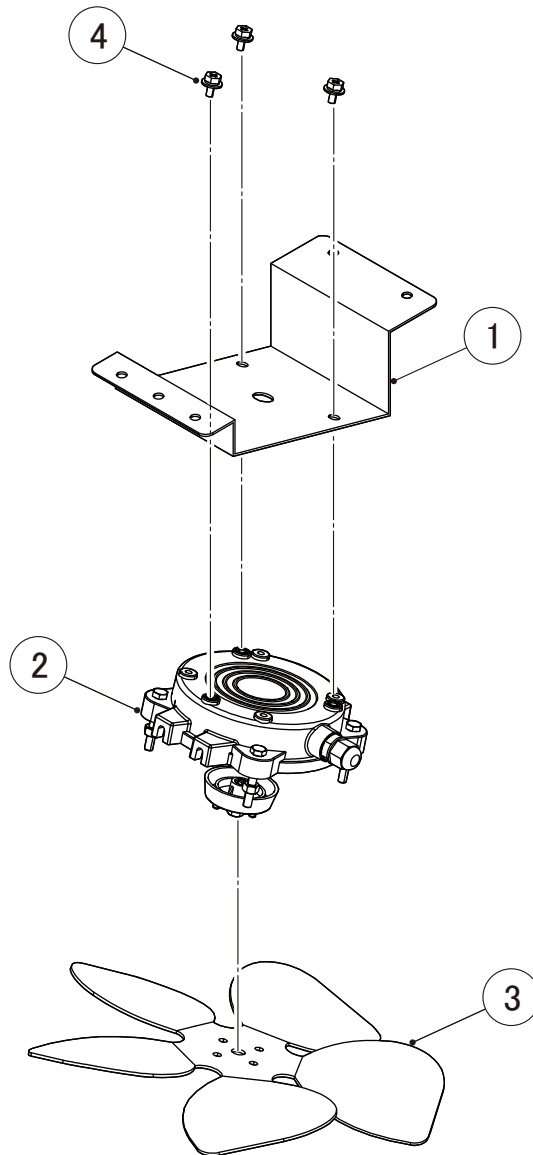
TITLE: **H. REFRIGERATION ASSY**

INDEX NO.	DESCRIPTION	MATERIAL OR MODEL NUMBER	PART NUMBER	REQ'D NUMBER			
				Q-1 and later			
1	BASE		2C1920M03	1			
2	COMPRESSOR		P07514-01	1			
3	BRACKET		4C0874M01	1			
4	BOLT		C05825-01	2			
5	WIRE CONDENSER		P05099-01	1			
6	COVER - CONDENSER		3C0450M01	1			
7	TAPPING SCREW - HEX		456789-01	6			
8	FLANGE BOLT (S-TITE)		P02005-01	6			
9	BRACKET - FAN MOTOR		471206M01	1			
10	FAN MOTOR		P00156-01	1			
11	FAN BLADE		P00185-01	1			
12	FLAT WASHER		FWPL04S0	2			
13	SPRING WASHER		FWSP04S0	3			
14	NUT		FNH104S0	2			
15	EVAPORATOR		C06293-01	1			
16	HEAT EXCHANGER		2C1930G01	1			
17	COPPER TUBE A - H		3C1024M04	1			
18	COPPER TUBE(B) - (H)		4C0875M01	1			
19	DRIER		C06620-02	1			
20	COPPER TUBE L		3C1969G01	1			
21	CLIP-THERMISTOR		4R2938-01	1			
22	INSULATION TUBE(ARMA FLEX)		H91022070	2			
23	FUSE		P01103-01	1			
24	DEFROST HEATER		C06091-02	1			
25	SUPPORT - HEATER		390307M01	1			
26	SUPPORT - HEATER		390326M01	1			
27	TRUSS HEAD TAPPING SCREW T2		FT20406M0	4			
28	TRUSS HEAD SCREW		FST0412S0	1			
300	RUBBER GASKET		P07576-01	4			

MODEL: **HF-128MC-S-X**
HF-128MC-SLG(-E)

TITLE: **H. REFRIGERATION ASSY**

INDEX NO.	DESCRIPTION	MATERIAL OR MODEL NUMBER	PART NUMBER	REQ'D NUMBER			
				Q-1 and later			
301	STARTER		P07577-01	1			
302	PROTECTOR		P07578-01	1			
303	STARTING CAPACITOR		P07579-01	1			
304	CAPACITOR BRACKET		P07580-01	1			
305	RUN CAPACITOR		P07581-01	1			
306	EARTH SCREW		P04514-01	1			
307	TERMINAL COVER		P04517-01	1			
308	CORD ANCHORAGE		P04518-01	1			



MODEL: **HF-128MC-S(LG,LG-E)**
HF-128MC-S-X

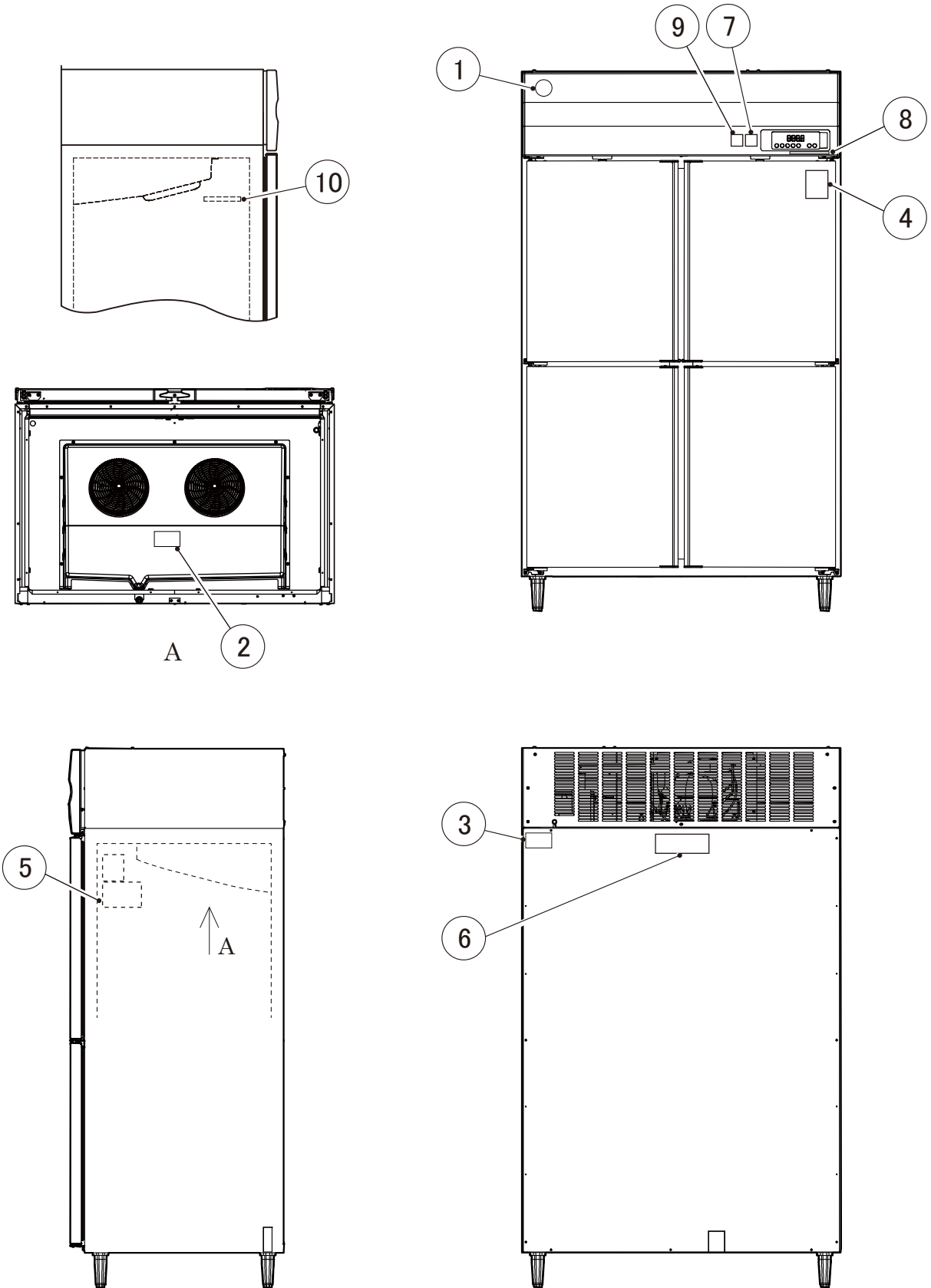
TITLE: **J. FAN MOTOR AY**

INDEX NO.	DESCRIPTION	MATERIAL OR MODEL NUMBER	PART NUMBER	REQ'D NUMBER			
				Q-1 and later			
1	BRACKET-FM		3C1093M01	1			
2	FAN MOTOR		C07230-01	1			
3	FAN BLADE		P00029-01	1			
4	HEX HEAD BOLT SW		FBK0408S0	3			

HF-128MC-S(LG, LG-E)
HF-128MC-S-X

L. LABEL LOCATION

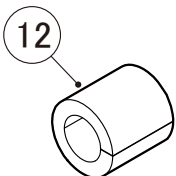
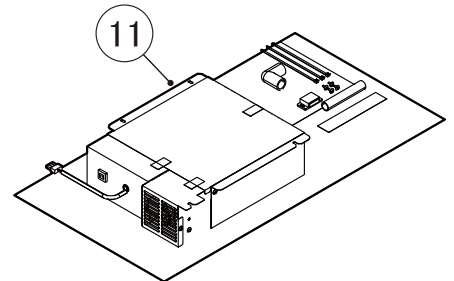
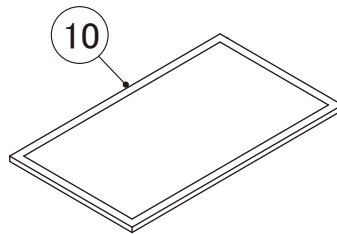
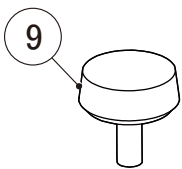
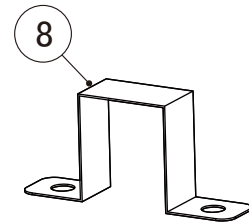
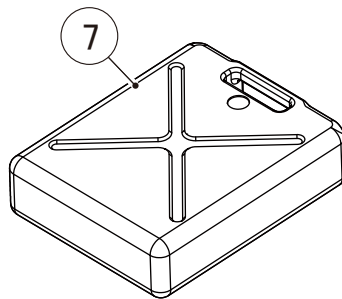
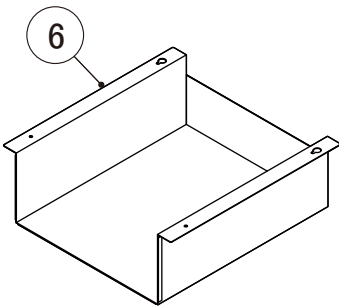
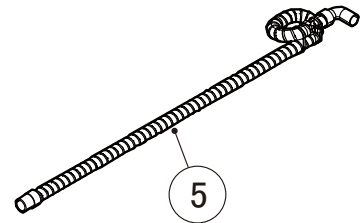
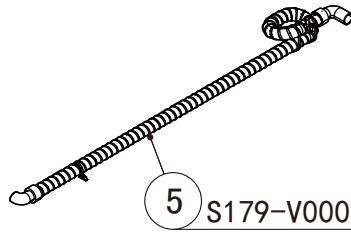
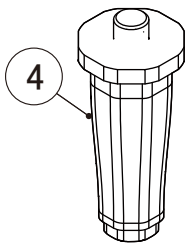
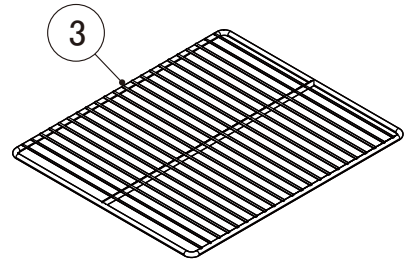
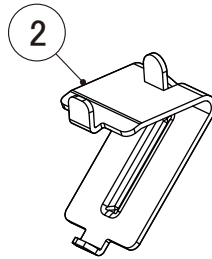
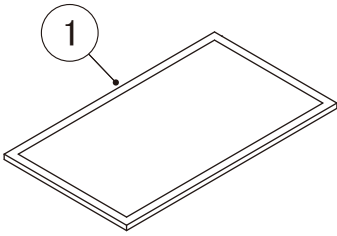
(Q-1) and later



MODEL: **HF-128MC-S(LG,LG-E)**
HF-128MC-S-X

TITLE: **L. LABEL LOCATION**

INDEX NO.	DESCRIPTION	MATERIAL OR MODEL NUMBER	PART NUMBER	REQ'D NUMBER			
				Q-1 and later			
1	CHARACTER LABEL - PENGUIN		475552L02	1			
2	LABEL - FAN COVER		472775L01	1			
3	CAUTION LABEL/CYCLOPENTANE		381437L01	1			
4	LABEL - ADVISORY	S179-V000 S179-V030	399626L01	1			
5	CAUTION LABEL - FIRE A	S179-V000 S179-V030	3J0417L01	1			
6	CAUTION LABEL - FIRE B	S179-V000 S179-V030	3J0418L01	1			
7	LABEL - HACCP		476519L01	1			
8	LABEL-FREEZER		447056-01	1			
9	LABEL QR - CODE	S179-V000 S179-W101 S179-V030 S179-V130 S179-V330 S179-V430	491998L01	1			
10	LABEL - LOAD LIMIT	S179-V000 S179-V030	482995L01	1			



MODEL: **HF-128MC-S(LG,LG-E)**
HF-128MC-S-X

TITLE: **M. ACCESSORIES**

INDEX NO.	DESCRIPTION	MATERIAL OR MODEL NUMBER	PART NUMBER	REQ'D NUMBER			
				Q-1 and later			
1	INSTRUCTIONS MANUAL		L1S174***	1			
2	CLIP-SHELF		428957-01	32			
3	SHELF - 127HD		3C1968G01	8			
4	LEG		P05012-01	4			
5	DRAIN HOSE ASSY	S179-V000	471190003	1			
		S179-W101 S179-C100 S179-V030 S179-V130 S179-V230 S179-V330 S179-V430	471190002	1			
6	BRACKET - TANK L	S179-V000	3C1494M01	1			
7	DRAIN TANK	S179-V000	1C0830P01	1			
8	BRACKET	S179-V000	4C0885M01	1			
9	THUMBSCREW	S179-V000	428833-01	6			
10	INSTRUCTION SHEET - EVAPORATING PAN	S179-W101 S179-C100 S179-V030 S179-V130 S179-V230 S179-V330 S179-V430	2C1547L01	1			
11	EVAPORATING PAN SET	S179-W101 S179-C100 S179-V030 S179-V130 S179-V230 S179-V330 S179-V430	272922002	1			
12	HOLDER - SHELF	S179-C100	4R6243Z01	8			